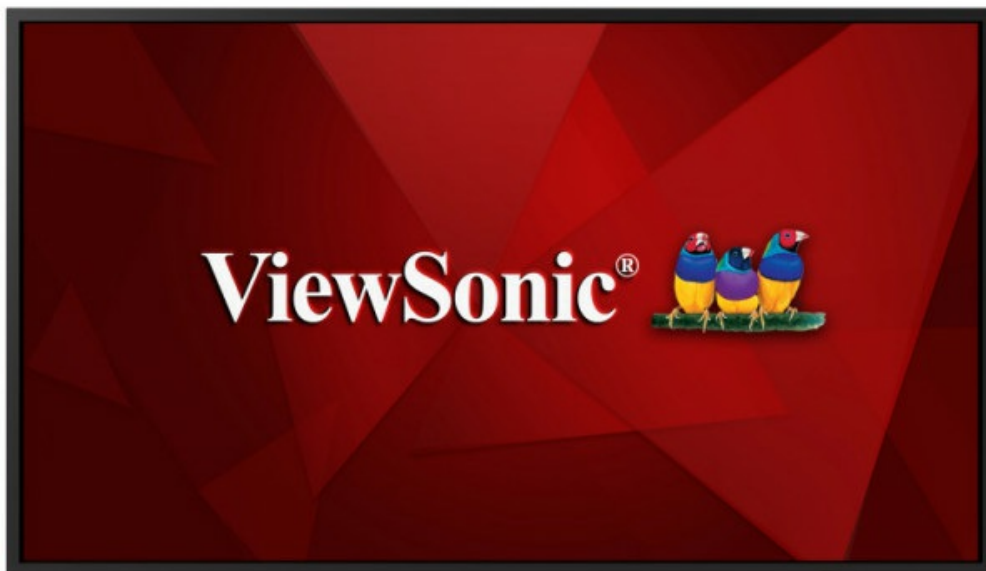


55" 4K Commercial/Presentation Display



CDE5520



- Slim, even bezel and chassis
- USB playback photos, music & video
- Easy multi-screen setups
- Remote configuration and content management
- Multiple HDMI devices control
- Wireless content sharing across devices

The ViewSonic® CDE5520 is a 55" commercial/presentation display with a slim, even bezel, offering the combination of cost-efficiency and ease of installation for corporate, retail and hospitality environments. This reliable commercial/presentation display is equipped with a quad-core processor, internal memory, and dual 10W speakers, allowing constant multimedia play from internal storage or a USB flash drive. Supporting a USB-programmable hospitality setting, remote configuration, and content management systems, each display will have the same customized default and content in the same hotel or shop. Versatile connectivity options include 2 HDMI-IN ports, RS232 input, SPDIF output etc. Allowing 1080p content to be streamed from mobile devices, ViewSonic® CDE5520 is also suitable for meeting application.

Slim, Even Bezel and Chassis

With a bezel width of only 1.3 cm, this commercial/presentation display delivers stunning

images in a thin chassis.

1.3 cm bezel



USB Playback Photos, Music & Video

A powerful multi-core media player enables photo, music and video playback in seconds using just a USB connection.

Integrated USB multimedia player



Easy Multi-Screen Setups

This display is great for multi-screen setups in hotels, restaurants, sports bars, or retail outlets that require duplicated setup and customizable presets. With a USB-programmable hospitality setting, each display will have the same customized channel default, audio level, front-panel lockout, and auto power-up settings.

Hospitality Mode



Intranet/Internet-Based Settings & Content Management

vController™ software provides a simple and intuitive interface for remote management, OSD-related settings, and scheduling on deployed displays through RS232 or LAN. The compatible software SureMDM and Revel Digital allows you to transfer multimedia content onto the display from virtually any device and any location.

vController, SureMDM, Revel Digital



Multiple HDMI Devices Control

With HDMI CEC functionality, remote controller signals can be transmitted via HDMI cable to connected HDMI devices. This enables out-of-sight DVD players, sound systems, and other devices to be directly controlled with the display's remote controller.

HDMI CEC local control



ViewBoard® Cast Content Sharing Software

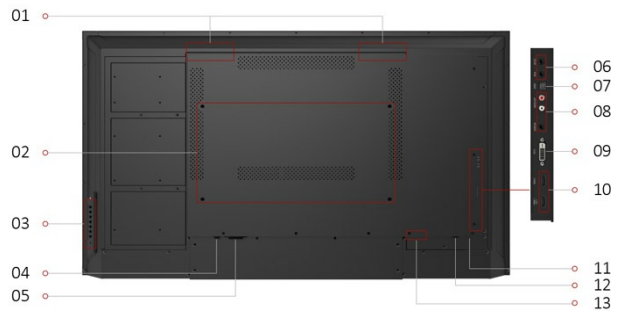
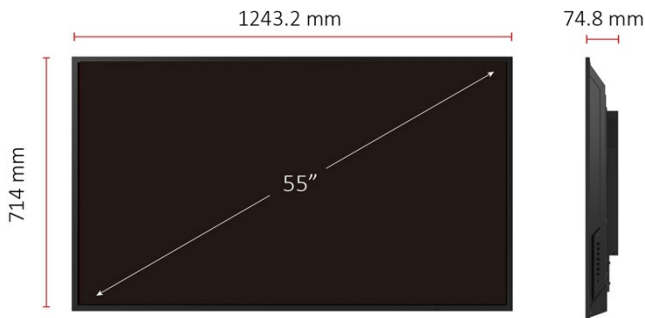
ViewBoard® Cast is a content sharing app for mobile devices* that enables 1080p content to be streamed from a user's device onto ViewBoard® wirelessly or over a cable network.

*Chrome, Android, Windows, Mac OS, and iOS compliant

Across devices with the app



Dimensions & I/O Ports



1. Internal Speakers
2. VESA[®] Compatible Wall Mount 400x400mm
3. Menu Controls
4. Power Switch
5. AC In
6. IR In/Out
7. SPDIF
8. Audio In/Out
9. DVI-D In
10. HDMI 2.0 In(x2)

11. RS232 In
12. LAN
13. USB 2.0 Type A(x2)

Technical Specifications

Display	Panel Size	55"	
	Type/ Tech	"TFT LCD Module. IPS type, DLED backlight"	
	Display Area (mm)	1209.6 (H) x 680.4 (V) (55" diagonal)	
	Native Resolution	3840 x 2160	
	Aspect Ratio	16:9	
	Colors	1.07B colors	
	Brightness	400 nits (typ.)	
	Contrast Ratio	1200:1 Typ.	
	Response Time	8 ms	
	Viewing Angles	H = 178, V = 178 typ.	
	Backlight Life	30,000 Hours Min	
	Surface Treatment	Anti-Glare, 2H, Haze 3%	
	Bezel	Slim	
	Orientation	Landscape	
	INPUT	HDMI	x2
		DVI	x1
		Audio	x1 (3.5mm)
		RS-232	x1
		IR Pass Thru	x1
OUTPUT	Audio	x1 (RCA)	
	SPDIF	x1 (Fiber)	
	IR Pass Thru	x1	
LAN	RJ45	x1	
USB	Type A	2.0 Type A : x2 (USB Playback)	
SPEAKERS	SPEAKERS	10Wx2	
COMPATIBILITY	RGB PC/HDMI PC	Up to 1920x1080@60Hz. Refer to timing table	
	HDMI	480i, 480p,720p,1080i,1080p, 4K2K@60Hz	
	DVI	480i, 480p,720p,1080i,1080p	
	Android Version	Android 8.0	
	POWER	Voltage	100-240 VAC +/- 10% Wide Range
Consumption		Normal 100 W, Max 114.5 W	
ERGONOMICS	Wall Mount (VESA®)	400x200 mm	
OPERATING CONDITIONS	Temperature	0 to 40°C (° C)	

	Humidity	20% ~ 80% non-condensing
DIMENSIONS (W x H x D)	Physical (inch / mm)	48.94 x 28.11 x 2.94 in/1243.2 x 714 x 74.8 mm
	Packaging (inch / mm)	55.90 x 35.83 x 9.65 in/1420 x 910 x 245 mm
WEIGHT	Net (lb / kg)	16.8 kg / 37.04 lbs
	Gross (lb / kg)	23.95 kg / 52.8 lbs
REGULATIONS	REGULATIONS	cULus, FCC, Energy Star, TUV Mexico, Mexico Energy, CE, CB, RoHS, ErP, REACH, EEL, WEEE, RCM
PACKAGE CONTENTS	PACKAGE CONTENTS	1. CDE5520 commercial/presentation display, 2. Remote Control with batteries, 4. Quick Start Guide, 5. Power Cables (1.8M), 6. HDMI cable (1.8M), 7. RS232 cable (1.8M)

ViewSonic® Limited Warranty

ViewSonic provides customers with the security of a manufacturers warranty against defected products. The type and duration of the applicable warranty service varies by product type, country of purchase and can also vary on an individual basis according to customer requirements agreed at time of purchase. The warranty will expire after the end of the warranty period.

For more product information, visit us at www.viewsoniceurope.com

All rights reserved by ViewSonic Corporation. All other Corporate names and trademarks are the property of their respective companies. E&EO. All prices and specifications are subject to change without written notice. Images are for illustrative purpose only. Terms & Conditions Apply.